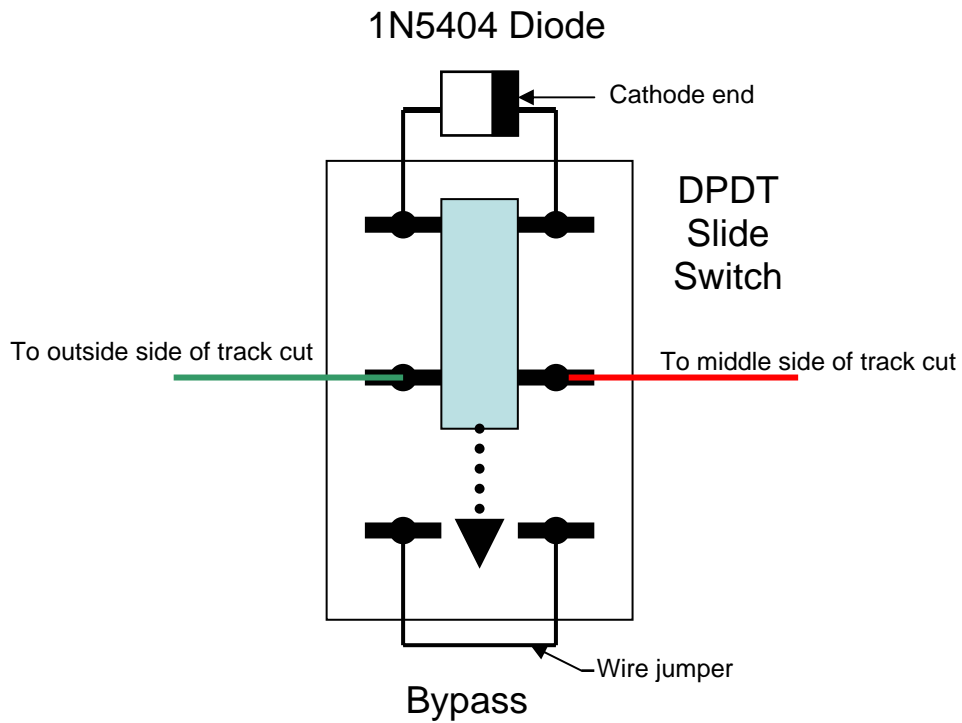


Wiring of module for auto reverse end module or passthru module.



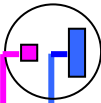
Parts required:

2 each Diode 3 Amp 1N5404

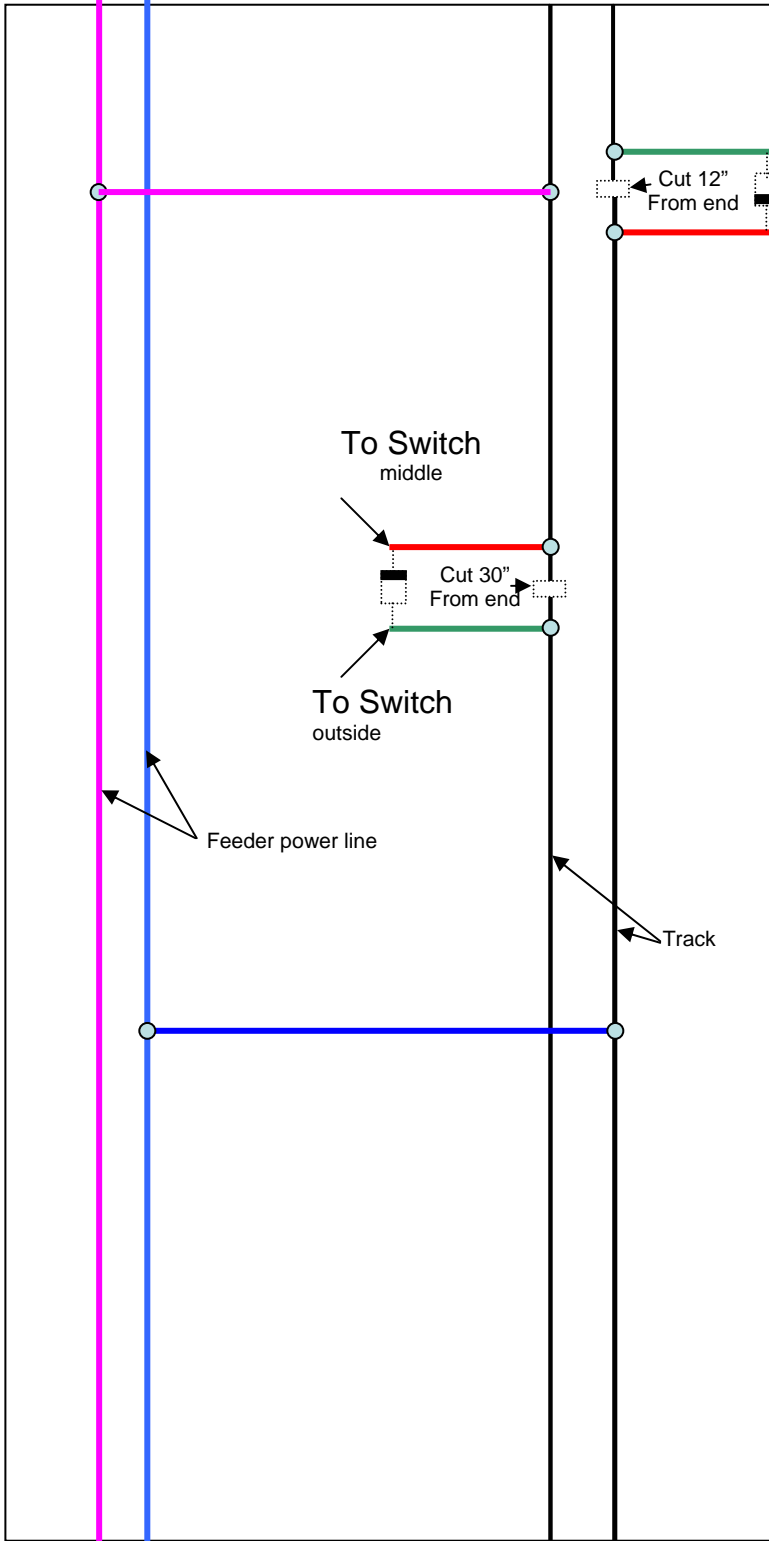
[RadioShack](#)

2 each DPDT Slide Switch

[RadioShack](#)



CINCH JONES TWO PRONG CONNECTORS
MALE PLUG #P302CCT



To Switch
outside

Cut 12"
From end

To Switch
middle

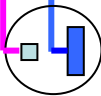
To Switch
middle

Cut 30"
From end

To Switch
outside

Feeder power line

Track



CINCH JONES TWO PRONG CONNECTORS
FEMALE SOCKET #S302CCT.